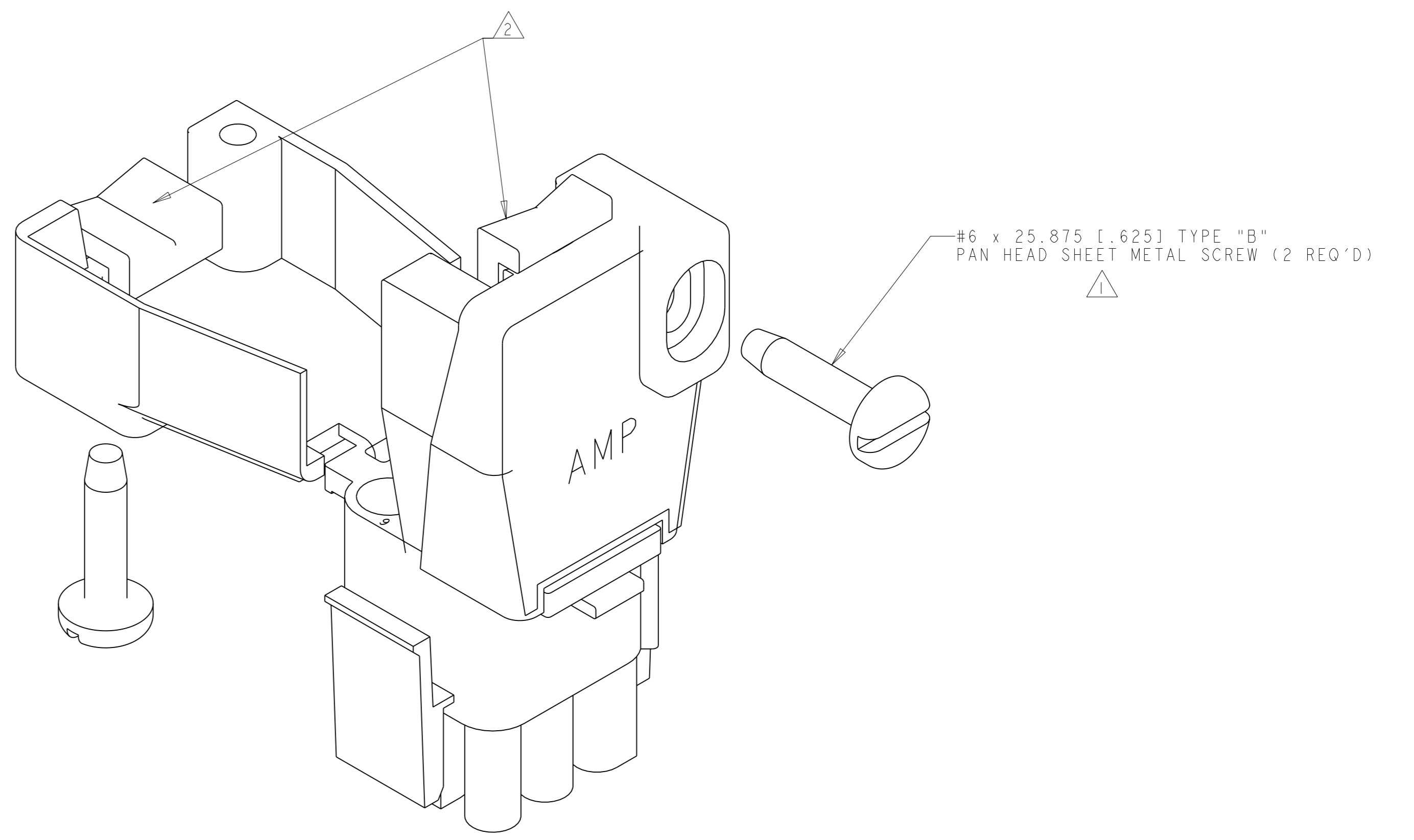
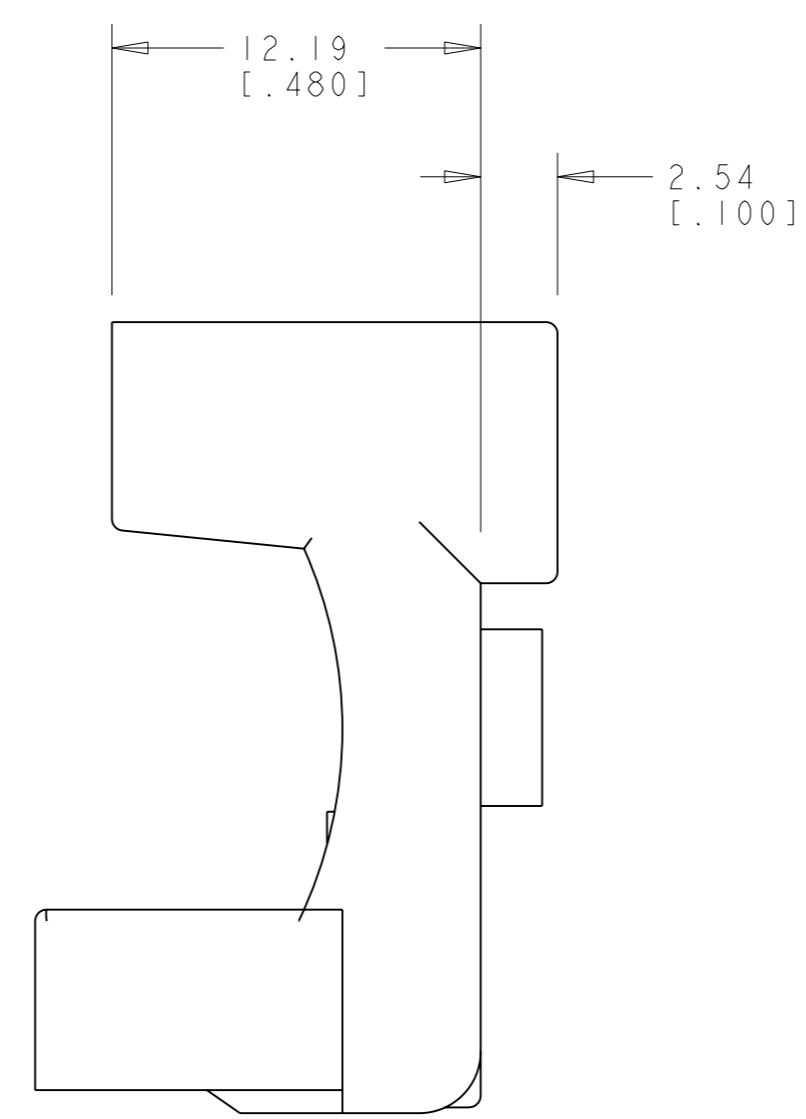
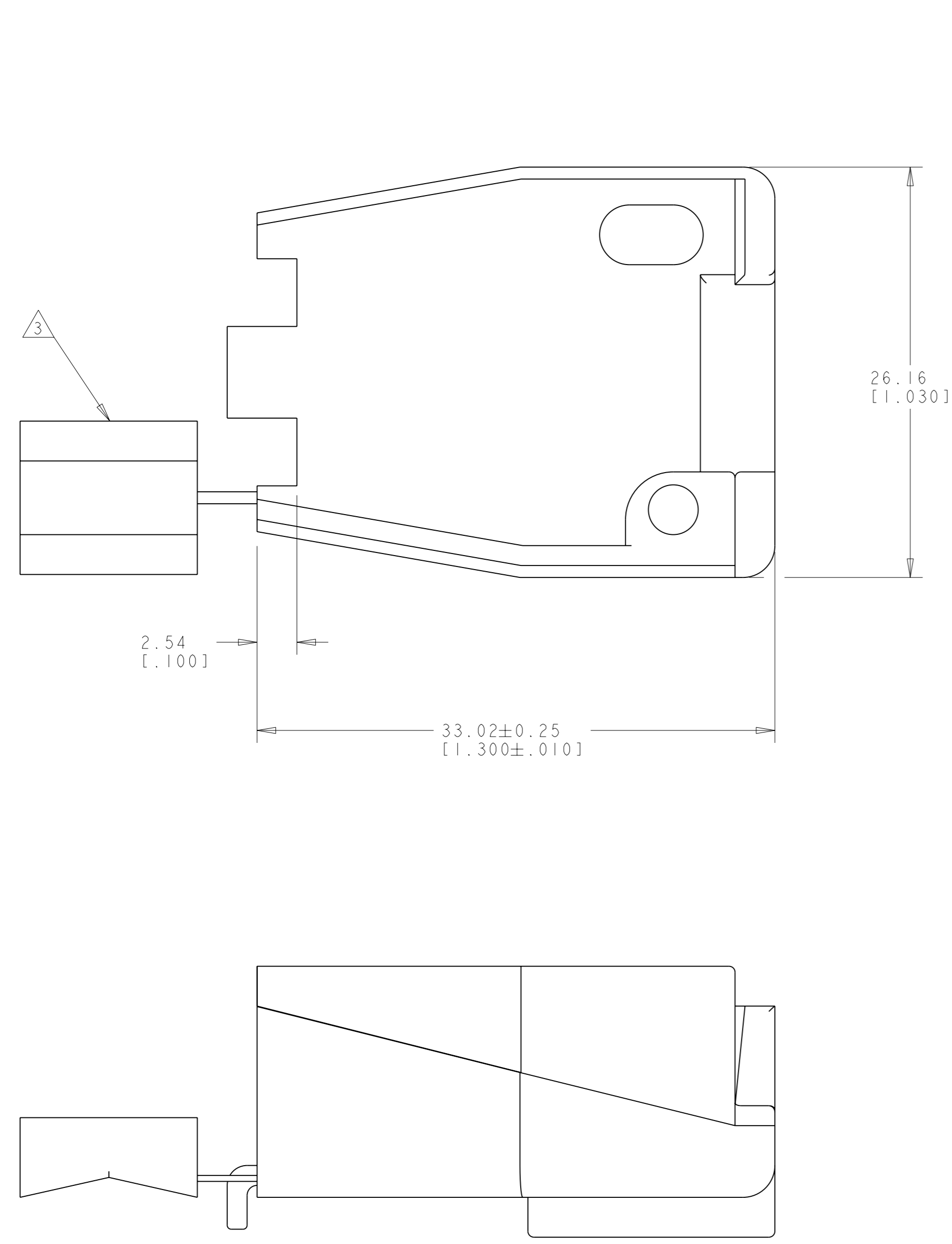


LOC	DIST	REVISIONS			
F	LYR	DESCRIPTION	DATE	DWN	APVD
C		REVISED PER 0G3B-0913-03	05DEC2003	KW	SR
D		REVISED PER 0G3B-0024-05	10MAR06	KW	SR

- 1 SHEET METAL SCREWS NOT SUPPLIED.
- 2 INSERT IS ATTACHED TO STRIN RELIEF AS AN ADDITIONAL ADJUSTMENT FOR SMALL WIRE BUNDLES. IT SHOULD BE CUT OFF AND POSTIONED AS SHOWN.
- 3 TWO REQUIRED PER CONNECTOR.
- 4. DETACHABLE INSERT MAY SEPARATE FROM STRAIN RELIEF BODY DURING SHIPPING.



#6 x 25.875 [0.625] TYPE "B" PAN HEAD SHEET METAL SCREW (2 REQ'D)

BLACK	NYLON UL94V-2	1-640721-9
NATURAL	NYLON UL94V-2	1-640721-0
COLOR	MATERIAL	PART NUMBER

DIMENSIONS: mm [INCHES]		TOLERANCES UNLESS OTHERWISE SPECIFIED:		DWN: K. WHITAKER 05DEC2003		Tyco Electronics Harrisburg, PA 17105-3608	
0 PLC	±	0 PLC	±	CHK: S. RIDGILL 05DEC2003	NAME: STRAIN-RELIEF AND INSERT, 6 CIRCUIT, UNIVERSAL MATE-N-LOK(TM)		
1 PLC	±	1 PLC	±	APVD: S. RIDGILL 05DEC2003	PRODUCT SPEC		
2 PLC	±0.13 [0.005]	2 PLC	±	APPLICATION SPEC			
3 PLC	±	3 PLC	±	WEIGHT			
4 PLC	±	4 PLC	±	CUSTOMER DRAWING			
ANGLES	40° 30'	FINISH		SCALE: 4:1		SHEET 1 OF 1	
MATERIAL SEE TABLE		FINISH		DRAWING NO: A1 00779 ©=640721		REV D	

METRIC